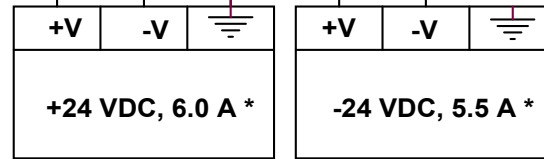


NOTES:

1. P2 (MBS P/N: 255-0830): DB9 PLUG IS AN OPTIONAL ITEM W/ A 3 FT. CABLE (OTHER CABLE LENGTHS AVAILABLE UPON REQUEST)
2. J2: DB9 CONTROL INTERFACE PINOUT SEE SHEET 2 OF THIS DRAWING FOR SCHEMATIC

PIN	NAME	DESCRIPTION
1	- COMMAND	INPUT: TORQUE COMMAND MINUS (GND REF. FOR PIN 2)
2	+ COMMAND	INPUT: TORQUE COMMAND POSITIVE
3	PWR GND	OPTIONAL (i.e. SIGNAL SHIELD)
4	- DIGITAL OUT	GND REF FOR TEMP FAULT SIGNAL. SEE NOTE 3
5	+ DIGITAL OUT	OUTPUT: DIGITAL (HI / LOW). SEE NOTE 3
6	+ SPEED	OUTPUT: SPEED OUTPUT (0-4 VDC)
7	- SPEED	OUTPUT: GND REF FOR PIN 6
8	AUTO/MANUAL	INPUT +5 VDC DURING POWER UP = AUTO-DECOG (MBZ ONLY)
9	MAN DE-COGG	GROUND PIN 4 & 9 W/ MOMENTARY SWITCH TO ACTIVATE

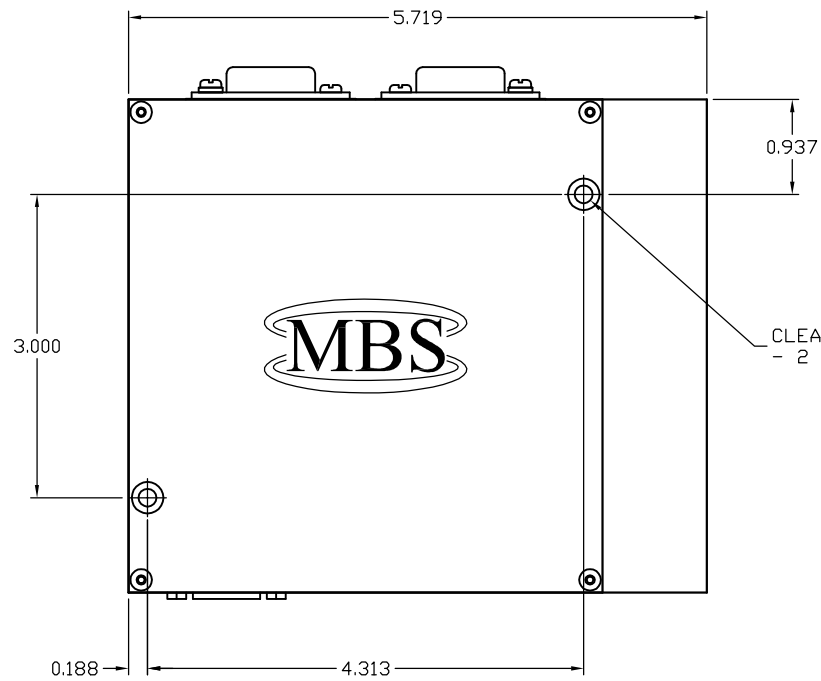
3. ** TEMP FAULT SIGNAL, SOFTWARE V2.9 AND LATER, ONLY WORKS WITH MBS TEMPERATURE SENSOR (MBS PART# MBS-IR-1). WHEN MAX DRAG RING TEMPERATURE IS REACHED, SENSOR SIGNALS CONTROLLER TO CUT POWER TO BRAKE; SIGNAL GOES FROM LOW TO HIGH.



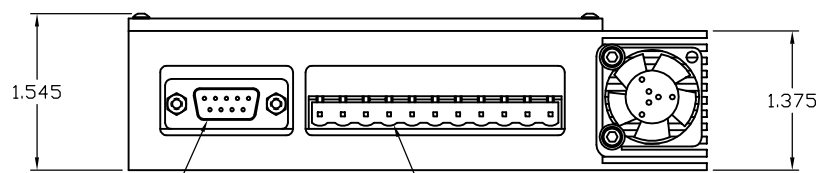
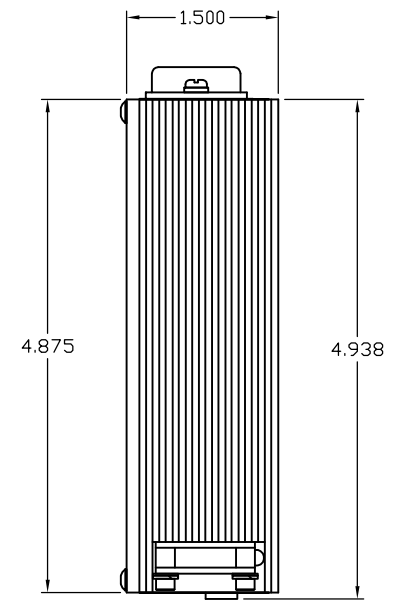
*POWER SUPPLIES ARE NOT INCLUDED WITH THE PURCHASE OF BRAKE AND CONTROLLER.

*24 VDC, 6.5A, POWER SUPPLIES MAY BE PURCHASED FROM MBS (P/N: EP7136)

	<p>THE INFORMATION DISCLOSED HEREIN IS THE EXCLUSIVE PROPERTY OF</p> <h2 style="margin: 0;">MAGNETIC BRAKE SYSTEMS</h2> <p>OR MAY CONTAIN PROPRIETARY RIGHTS OF OTHERS AND IS NOT TO BE USED OR DISCLOSED TO OTHERS WITHOUT THE WRITTEN CONSENT OF THE ABOVE</p>	
	<p>09/05/18</p>	<p>INTERFACE - MBL/MBZ, 0-10 VDC TORQUE CMD SIGNAL</p>

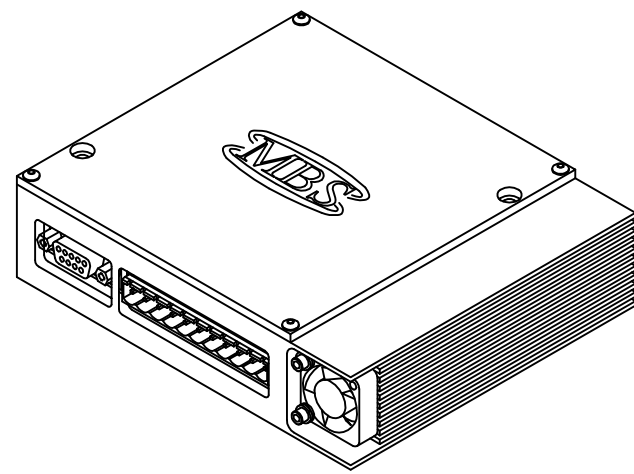


CLEARANCE FOR A #8 SCREW
- 2 PLACES



J2 (FEMALE) DB9

J1 (MALE) EURO STYLE (PHOENIX CONNECTOR)



NOTES:

1.

- UNLESS OTHERWISE SPECIFIED
1. DIMENSIONS ARE PER ANSI Y14.5-1973
 2. SURFACE ROUGHNESS PER ANSI B46.1-1978
 3. LINEAR DIMENSIONS IN INCHES
 4. LINEAR TOLERANCES:
X ± .05, XX ± .02, XXX ± .005
 5. ANGULAR TOLERANCES:
X ± 5°, X ± .5°
 6. MACHINED SURFACES:
1 AND 1 ALL PLANES .002/INCH
DIAMETERS WITHIN .005 TIR
MAXIMUM SURFACE ROUGHNESS √ 32
 7. BREAK EDGES .01 TO .02
 8. FILLETS R0.02 MAX

THE INFORMATION DISCLOSED HEREIN IS THE EXCLUSIVE PROPERTY OF
MBS MAGNETIC BRAKE SYSTEMS
 4725 CALLE QUETZAL, CAMARILLO, CA 93012
 OR MAY CONTAIN PROPRIETARY RIGHTS OF OTHERS AND IS NOT TO BE USED OR
 DISCLOSED TO OTHERS WITHOUT THE WRITTEN CONSENT OF THE ABOVE

ASSY. - CONTROLLER,
 MBL/MBZ BRAKE

SH 1 OF 1
 255-0410B